



EST 储能电容

IMPULSE CAPACITOR__ EST

主要特点

- 可承受高电压反峰率：upto 20%
- 可承受高峰值电流：upto 3A/ μ f
- 充放电速度快：upto 1time/2S
- 使用寿命长：充放电20,000,000次以上
- 无极性介质

应用领域

- 储能焊机
- 脉冲发生器
- 充磁机
- 激光电源
- 医疗器械

Highlight Features

- Withstand high rate of reversal voltage: up to 20%
- Withstand high Ipeak: up to 3A/ μ f
- High speed of recharge: upto 1time/2S
- High reliability and life expectancy: >20,000,000 times recharge
- Non-polar

Applications

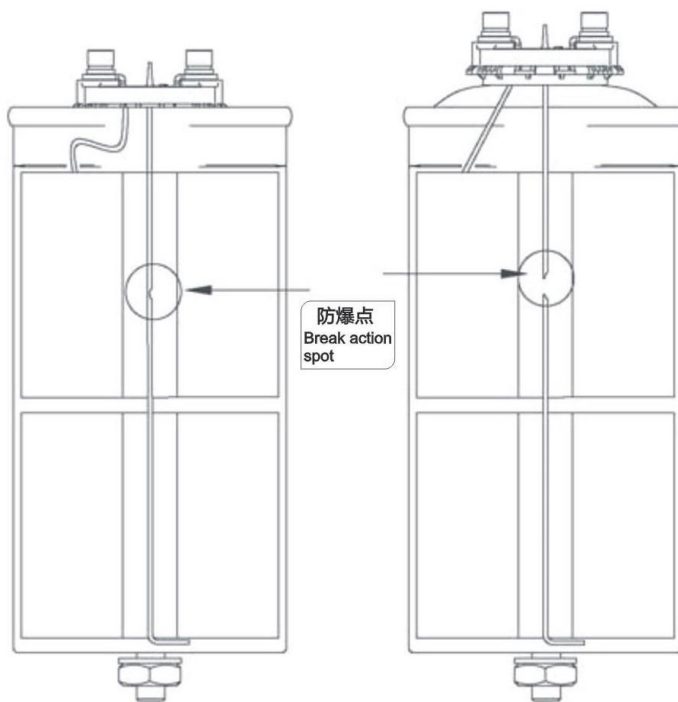
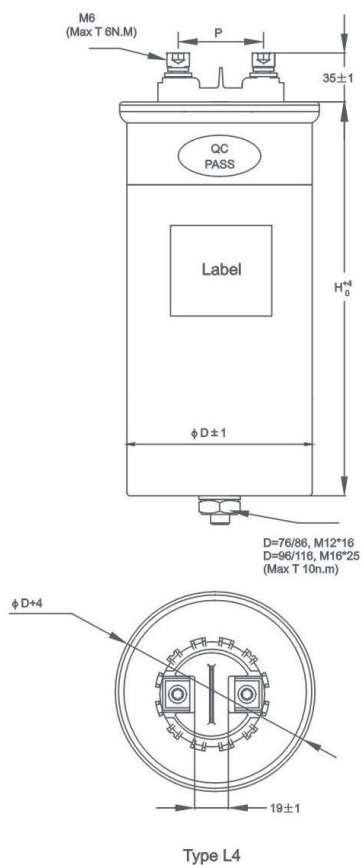
- Capacitor discharge welding machine
- Impulse generator
- Magnetizer
- Laser power supply
- Medical equipment



技术参数 Parameters

容量范围 Rated capacitance	500 μ F ~ 2000 μ F (25°C)
额定电压 Rated voltage	500VDC ~ 2500VDC
容量偏差 Tolerance	$\pm 10\%$ (standard), $\pm 5\%$ (upon request)
电介质 Dielectric	Metallized polypropylene
介质损耗 Dissipation factor	$\tan \delta \leq 0.0002$ (100Hz, 25°C)
时间常数 Insulation resistor (RC)	$\geq 20,000s$ (U_n , 25°C)
运行温度 Operating temperature (T_w)	-25°C ~ +40°C
储存温度 Storage temperature (T_s)	-40°C ~ +85°C
海拔高度 Altitude	$\leq 1000m$
预期寿命 Life expectancy	$\geq 20,000,000$ times recharge
极间耐压 Test voltage between terminals	1.5 U_n / 10s at 25°C
极壳耐压 Test voltage terminal to case	3000VAC / 2s at 25°C, 50/60Hz
结构 Construction	Filling with inert gas or silicone oil, Non-inductive, over-pressure
外壳 Case	Aluminum case
参考标准 Reference standards	JB/T8168-1999, IEC61071-2007

外观尺寸 Outline Drawing



电容器防爆前结构
Capacitor before functioning of
the break action mechanism

电容器防爆后结构
Capacitor after functioning of
the break action mechanism

常用规格选型表 General Specifications Table

规格型号 Specification	Un	Cn	φD	H	P	产品编码 Code
	VDC	μf	mm	mm	mm	
ESTSY500-500	500	500	65	230	38	J0500M5000UKN1DDK1P
ESTSY500-1000	500	1000	86	175	38	J0500M1001UKN1DFG1P
ESTSY1100-1000	1100	1000	96	230	38	J1100M1001UKN1DGK1P
ESTSY1100-2000	1100	2000	136	285	38	J1100M2001UKN1DKM1P
ESTSY1500-500	1500	500	106	290	38	J1500M5000UKN1DHN1P
ESTSY2500-200	2500	200	106	310	38	J2500M2000UKN1DHO1P

注：特殊规格，可按客户需求定制。
Note: Customized products are available upon request.